

# UNIVERSAL FACING AND BORING HEAD

## MODEL UBS F

with automatic feed and pre-set automatic end release

### Application

On jig borers, boring machines, mills and other machines, universal head for extremely precise work-piece machining in facing, boring, turning, recessing, thread cutting and profile turning applications.

### Facts

- The tool slide has an automatic cross feed and is released automatically by an adjustable stop.
- The tool slide is thus adjusted without any intermediate elements such as gears or worm wheels. This means that the tool is less susceptible to malfunctions and operates precisely.
- The feed spindle is protected to the greatest extent against soiling and chips.
- The lateral engraved scale serves to locate various turning diameters faster.
- Extremely precise and very sturdy thanks to the compact design.
- Interchangeable shanks.
- Parts subject to wear and tear are hardened and ground.

### Principle of operation

Automatic transverse motion of the slide is necessary for facing and recessing operations. This is done simply by depressing the engaging knob and holding the knurled feed ring by means of the stop bar. Transverse motion of the slide is always from inside to outside. Feed is deactivated with the release lever, the engaging knob unlatches and facing is terminated. Rapid return to starting position is effected by operating the adjustment spindle. The tool is equipped for right-hand rotation. For boring or outside turning operations, the tool slide is set to the required dimension and locked by a locking screw. This clamping by way of the adjustable taper gib ensures great rigidity for neat and chatter-free operation. This locking screw must be released for facing work.





#### Technical data

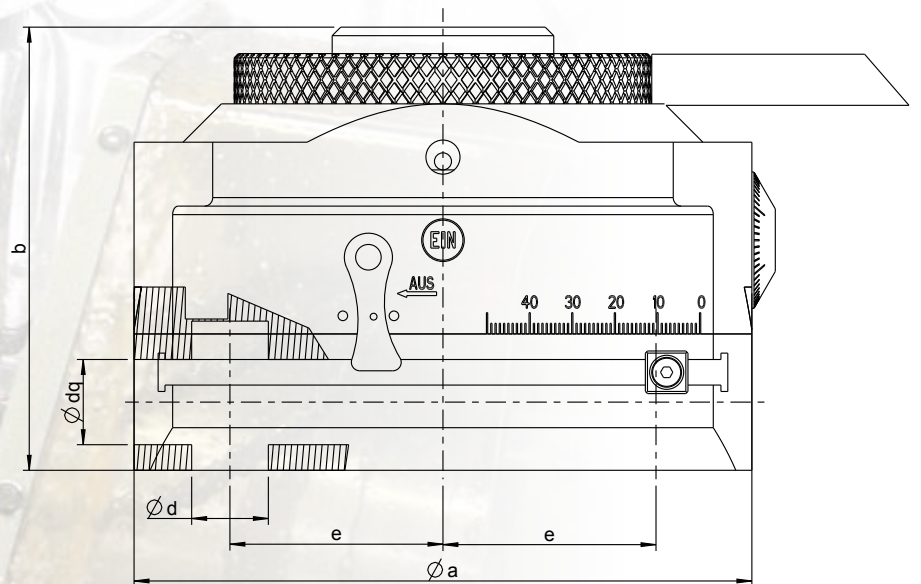
Model	UBS F1	UBS F2	UBS F3
Facing and boring range	200,00 mm	300,00 mm	400,00 mm
Max. slide adjustment range	35,00 mm	45,00 mm	62,00 mm
Automatic slide feed	0,05 mm	0,05 mm	0,05 mm
Fine adjustment	Ø 0,01 mm	0,01 mm	0,01 mm
Rapid return per spindle rev.	Ø 2,00 mm	2,00 mm	2,00 mm
Ø of tool bores	16,00 mm	18,00 mm	18,00 mm
Head height	83,00 mm	90,00 mm	104,00 mm
Ø of head	80,00 mm	120,00 mm	150,00 mm
Weight without shank	2,7 kg	4,6 kg	7,7 kg



# FOLLOWING DISCLOSES UBS F

## Models

Model	$\varnothing a$	b	$\varnothing c$	$\varnothing d$	$\varnothing d_Q$	e	$f_{max}$
UBS F1	80	83	200	16	16	25	35
UBS F2	120	90	300	18	18	35	45
UBS F3	150	104	400	18	20	50	62



### Available accessories for UBS F:

- Wooden case
- Universal boring bars,
- Boring bars with horizontal or slanted tool bore including HSS or carbide ground tool sections, or with indexing tool holders..
- Special accessories on request.
- Shanks: all shanks are available.

### Please specify when ordering:

1. Size and type of tool
2. Exact shank version
3. Required accessories

